



UKPSA *Postal League For Long Barrelled Firearms*

2018

Get Involved
Free to Enter
Fun Practical
shooting for
your club



Four Rounds

16 Stages in Total

Easy to set up

Ideal for the club
environment



www.ukpsa.co.uk/postalleagues

The 2018 UKPSA Postal League for Long Barrelled Firearms.

This Postal League is open to all shooters and is free to enter. It is made up of four rounds and each will have four stages. Each round will require 50 rounds minimum. Stages will be simple to set up, with common props, screens and apertures. Some of the stages are standard exercises. The league is ideal for a club practice session or as part of a match.

Team entries will also be accepted for 2018, again free to enter. Three or four team members, all shooting the same division, with the best three scores to count. All team members must be from the same club and should shoot all four rounds to achieve the best scores.

Administration

If you are the club organiser, make sure you fill in the **Club Contacts Form** and ensure you have one (or two) contacts. These **must** have an email address. The second form is a **Team Registration Form**. Fill one of these in for each team. The final form is **Competitor Registration Form**, and I require one of these for each competitor. There are two on the page to save you paper. I only require this the **first time** a competitor shoots, unless he/she changes division, e.g. gun out of action or a new gun, in which case they will be treated as a new competitor. Complete these forms and send with your Round 1 score sheets.

Score sheets for Round 1 are also attached. After Round 1 competitor numbers will be allocated. Please use this number for subsequent rounds.

Each round will take place as follows

Round 1 in **March & April**
Round 3 in **July & August**

Round 2 in **May & June**
Round 4 in **September & October**

Scores will be calculated at the end of each round and results will be posted onto the UKPSA web site, Forum, and emailed to **Club Contacts**. At the conclusion of Round 4 overall winners of each competition will be declared. Divisions recognised are

LBR (Long Barrelled Revolver)	Standard and Open
LBP (Long Barrelled Pistol)	Standard and Open
CF (Centre Fire) Lever Action Rifle	Standard and Open
MR (Mini Rifle i.e Rim Fire) Rifle	Standard and Open.

Trophies will be awarded in each Division as follows. Over 15 entries, 1st to 3rd. 10 – 14 entries 1st & 2nd. 5 – 9 entries 1st only. Less than 5, no trophy awarded.

Competitors may only shoot **one** division for score. Please note that your **first attempt** must be used for your official score. This does not prevent re-shooting in another division for a fun, but please don't send in any scores.

The stages may be shot at any time within the two month period for each round. An RO and a witness are required to verify the competitor's score. All scores are to be recorded on the individual score sheets **OR** the summary score sheet which will be published with the stages. The summary sheet is an Excel spreadsheet (and a pdf for those without Excel) which you may fill in and email to me. This will be necessary if you use a scoring 'app' that doesn't have a print out facility. **I must have the number of 'A's 'C's etc - a single total is not acceptable.**

The stages will be posted out at the start of each round. Scores must be submitted to arrive not later than 5 days after the last day of each round. **Ensure you have a copy of your scores in case they get lost in the post** (as happened to one team in 2016).

All the stages are simple to set up and organisers are asked to keep to the measurements given. Targets will be **IPSC (full size) or Mini Targets (2/3)** either full or partial. These are available from Double Alpha Academy.

Visit <http://www.doublealpha.biz/targets-tape.htm> to order targets and patches.

If you have any queries about the Postal League then please contact the UKPSA LBR Postal League Competition Secretary, Alan Wragg, via alan_wragg@talk21.com

**UKPSA LBF Postal League 2018
Club Contact(s) Form**

Club Name _____

Name (1) _____ **Email** _____

Name (2) _____ **Email** _____

Please enter the name(s) and email address(es) of your club contact(s) for this year. These are the only people I will contact by email with results and any queries.

I only require this form for the FIRST round that you club shoots.

Note: If further clarification is required, call Alan Wragg on 01403 240609 (but be prepared to leave a message).

**UKPSA LBF Postal League 2018
Team Registration Form**

Please note: a Competitor Registration Form is required for every competitor, whether in a team or not.

Club Name _____

UKPSA affiliated club Y/N _____ **If Y, club membership No.** _____

Team Name _____

Team members' names

1) _____ 2) _____

3) _____ 4) _____

Division	LBR Standard	<input type="checkbox"/>	LBR Open	<input type="checkbox"/>
	LBP Standard	<input type="checkbox"/>	LBP Open	<input type="checkbox"/>
	LA Rifle Standard	<input type="checkbox"/>	LA Rifle Open	<input type="checkbox"/>
	MR Rifle Standard	<input type="checkbox"/>	MR Rifle Open	<input type="checkbox"/>

UKPSA LBF Postal League 2018

Competitor Registration Form

(Only required the first time a competitor shoots in a division)

Name _____ Club _____

UKPSA member Y/N ____ If Y, UKPSA membership No. _____

Senior (50 - 59) Super Senior (60 and over)

Division LBR Standard LBR Open

LBP Standard LBP Open

LA Rifle Standard LA Rifle Open

MR Rifle Standard MR Rifle Open

Maj/Min _____ (only applicable to centre-fire firearms)

Note: If you are unsure of which division or what Maj/Min are, first talk to the person at your club who is running this for you. If further clarification is required, call Alan Wragg on 01403 240609 (but be prepared to leave a message) or email me.

UKPSA LBF Postal League 2018

Competitor Registration Form

(Only required the first time a competitor shoots in a division)

Name _____ Club _____

UKPSA member Y/N ____ If Y, UKPSA membership No. _____

Senior (50 - 59) Super Senior (60 and over)

Division LBR Standard LBR Open

LBP Standard LBP Open

LA Rifle Standard LA Rifle Open

MR Rifle Standard MR Rifle Open

Maj/Min _____ (only applicable to centre-fire firearms)

Note: If you are unsure of which division or what Maj/Min are, first talk to the person at your club who is running this for you. If further clarification is required, call Alan Wragg on 01403 240609 (but be prepared to leave a message) or email me.

Alternative Start Position for handguns (Tyro)

Some clubs forbid the drawing of a loaded handgun from a holster, and some, especially new, shooters may feel uncomfortable with it. To allow for this an alternative start position is allowed. Instead of starting with the gun in the holster, the shooter starts with gun in the strong hand with elbow touching side and forearm parallel to the ground, finger outside trigger guard. The weak arm is hanging naturally by side.

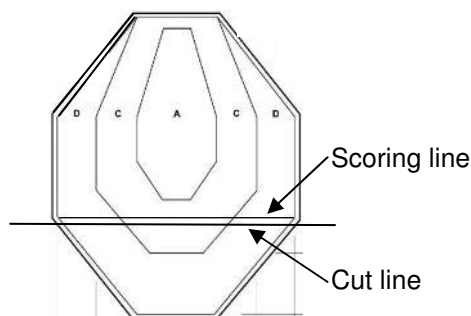
Non-holstered starts, e.g. gun placed on table, remain the same for all shooters.

Round 1 Stage Construction Notes

- 1) 'IPSC target' is the standard (450 x 570mm), 'IPSC Mini target' is 2/3 size.
- 2) Unless otherwise specified, top of all targets is 1.7m from floor.
- 3) Shooting boxes are 600 x 600mm (2 x 2ft). Ideally, made from 50 x 50mm wood.
- 4) Distance to targets is from front of box or to rear of table, i.e. shooter's side.
- 5) Distances between boxes is centre to centre.

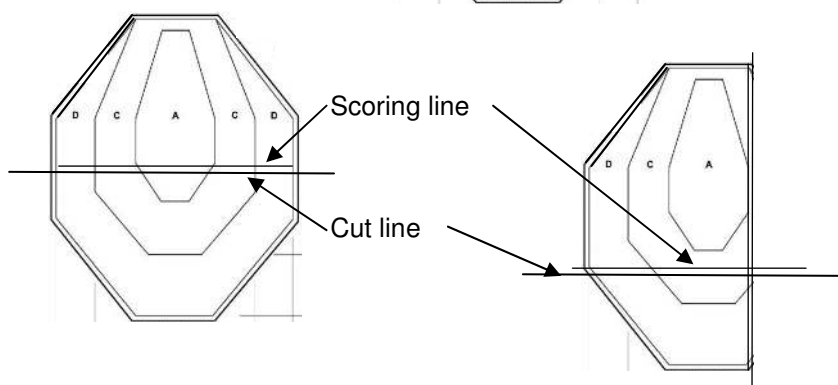
Stage 1

Partial target T1



Stage 2

Partial targets T1 and T4



Stage 3

No additional notes

Stage 4

- 1) Left edge of N/S 1 touches vertical centre line of T4, and bottom of T4 is level with the bottom of the vertical left edge of N/S 1.
- 2) N/S 2 is level with and touches the left edge of T6.

Note: If further clarification is required, call Alan Wragg on 01403 240609 (but be prepared to leave a message) or email alan_wragg@talk21.com

UKPSA LBF Postal League 2018 Round 1 Score Sheet



Name _____

No. _____

Class

LBR S	LBP S	LA S	MR S
LBR O	LBP O	LA O	MR O

Stage 1

	A	C	D	MISS
T1				
T2				
T3				
TOT				

TIME	
------	--

Proc Errors	
-------------	--

Stage 2

	A	C	D	MISS
T1				
T2				
T3				
T4				
T5				
TOT				

TIME	
------	--

Proc Errors	
-------------	--

Stage 3

	A	C	D	MISS
T1				
T2				
T3				
T4				
T5				
T6				
T7				
T8				
TOT				

TIME	
------	--

Proc Errors	
-------------	--

Stage 4

	A	C	D	MISS
T1				
T2				
T3				
T4				
T5				
T6				
T7				
T8				
T9				
T10				
TOT				

TIME	
------	--

Proc Errors		N/S	
-------------	--	-----	--

Competitor Sign _____

RO Sign _____

Witness Sign _____

Date _____

Post to:-

UKPSA LBF Competition Secretary,
35, Singleton Road,
Broadbridge Heath,
Horsham, West Sussex,
RH12 3NP

OR

Email to:-

alan_wragg@talk21.com

(either as a .pdf or a .jpg file)

UKPSA LBF Postal League 2018

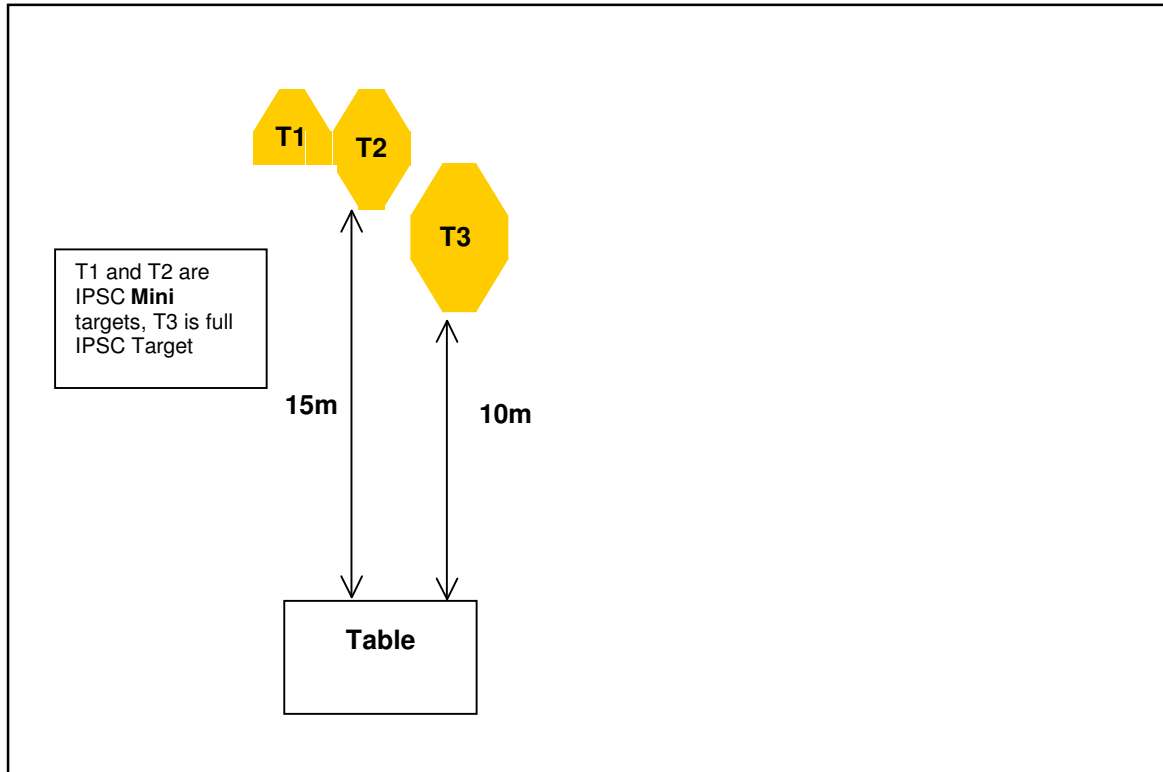
Summary Scoresheet

Round 1

Club _____

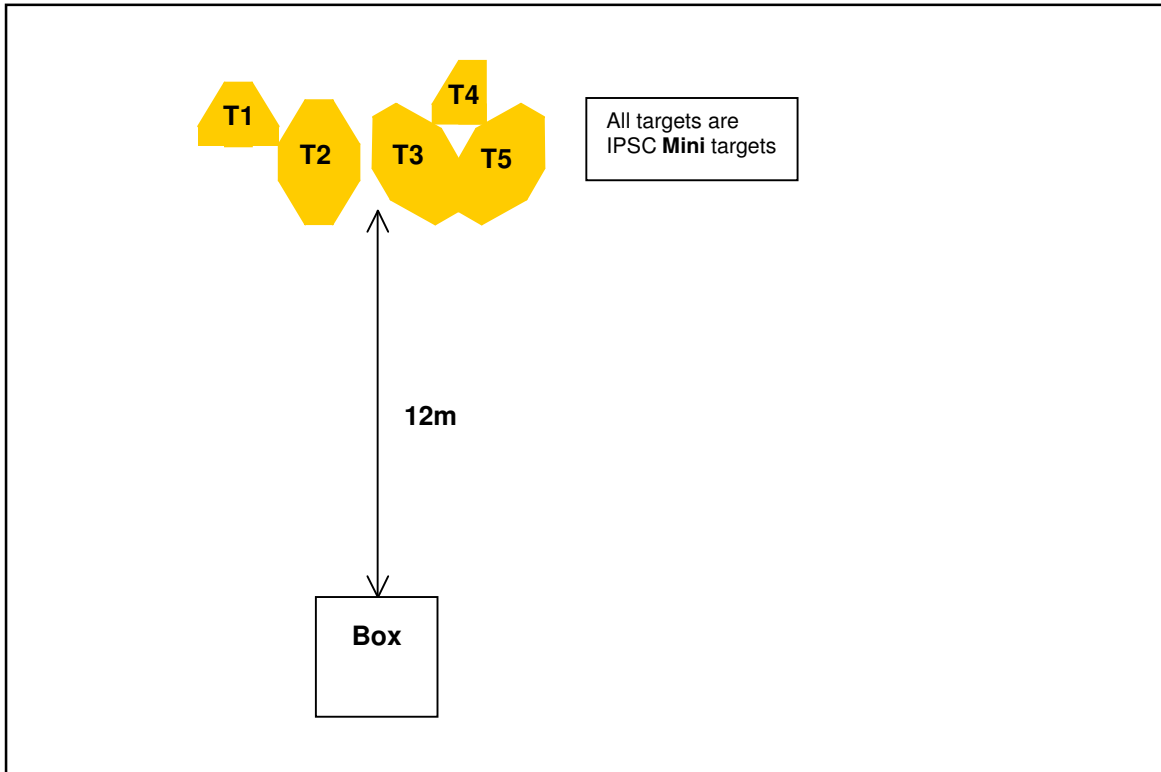
		Stage 1						Stage 2						Stage 3						Stage 4							
Name	No.	A	C	D	M	Time	P	A	C	D	M	Time	P	A	C	D	M	Time	P	A	C	D	M	Time	P	NS	

Please note: The 'No.' column is to record the number allocated after Round 1.



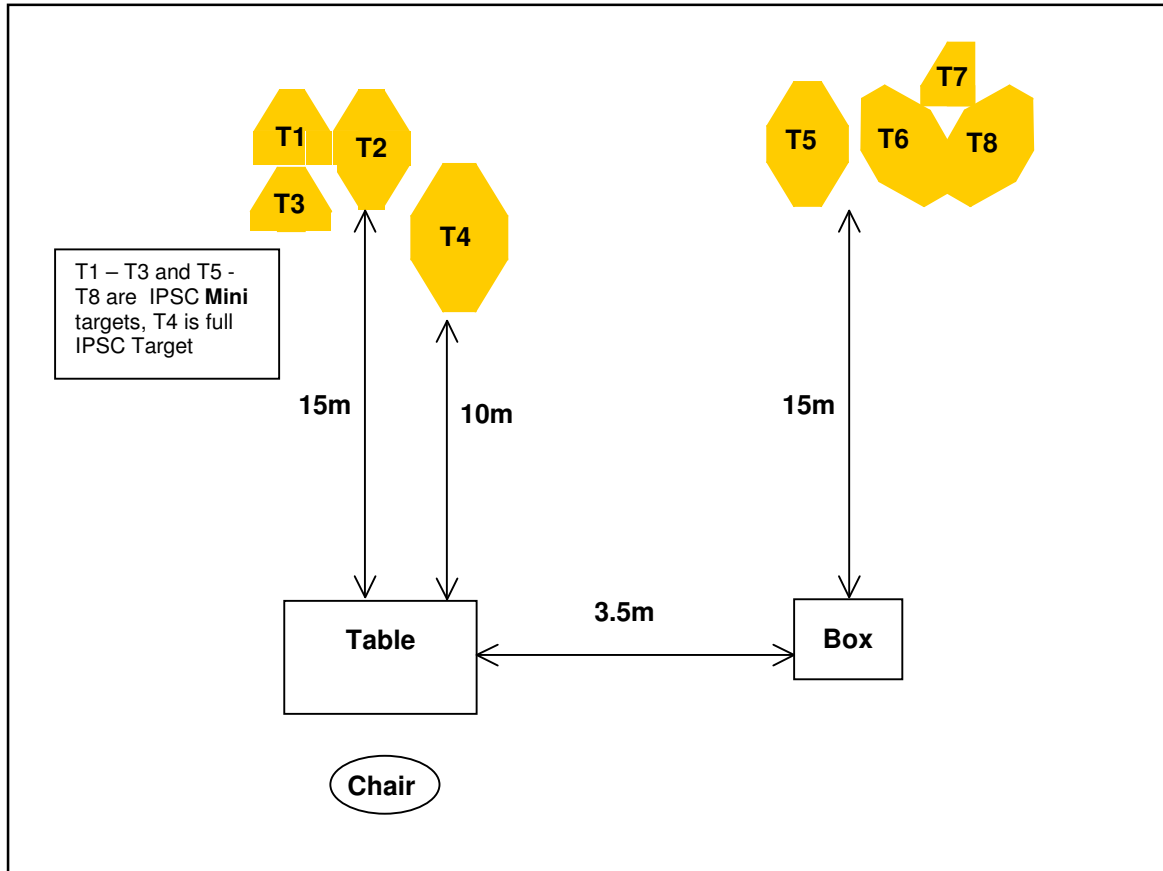
STAGE 1 INFO

TYPE:	Medium course.	TARGETS:	2 x IPSC Mini Targets (2/3) 1 x IPSC Full Size Target
SCORING:	Comstock.	MINIMUM ROUNDS:	9
DISTANCE:	10 - 15m	MAX POINTS:	45
START:	Audible signal	PENALTIES:	As per current edition of IPSC Rule Book.
STOP:	Last shot.		
START POSITION:	Standing behind table, palms flat on table, shoulder width apart. Unloaded gun placed wholly on table and completely covered by a tea towel. If tea towel is wider than shoulders, palms on top of tea towel. If gun is longer than table, butt to be completely on, barrel may overhang.		
PROCEDURE:	On the start signal, load and engage all targets with a maximum of two rounds on each target, freestyle. Reload with a minimum of one round and re-engage all targets with a minimum of one round on each target, weak hand supported (revolver / pistol) weak shoulder (rifle). All ammunition to be on the person or on the table under the tea towel.		
DESIGN NOTES:	<ol style="list-style-type: none"> 1) When shooter is stood centrally behind table, T1, T2 and T3 should appear to be edge to edge. 2) For cut lines on T1, see Round 1 Stage Construction Notes. 		
BRIEFING NOTES:	Safety Angles: 90 / 90 / 90. (MAR may be used)		



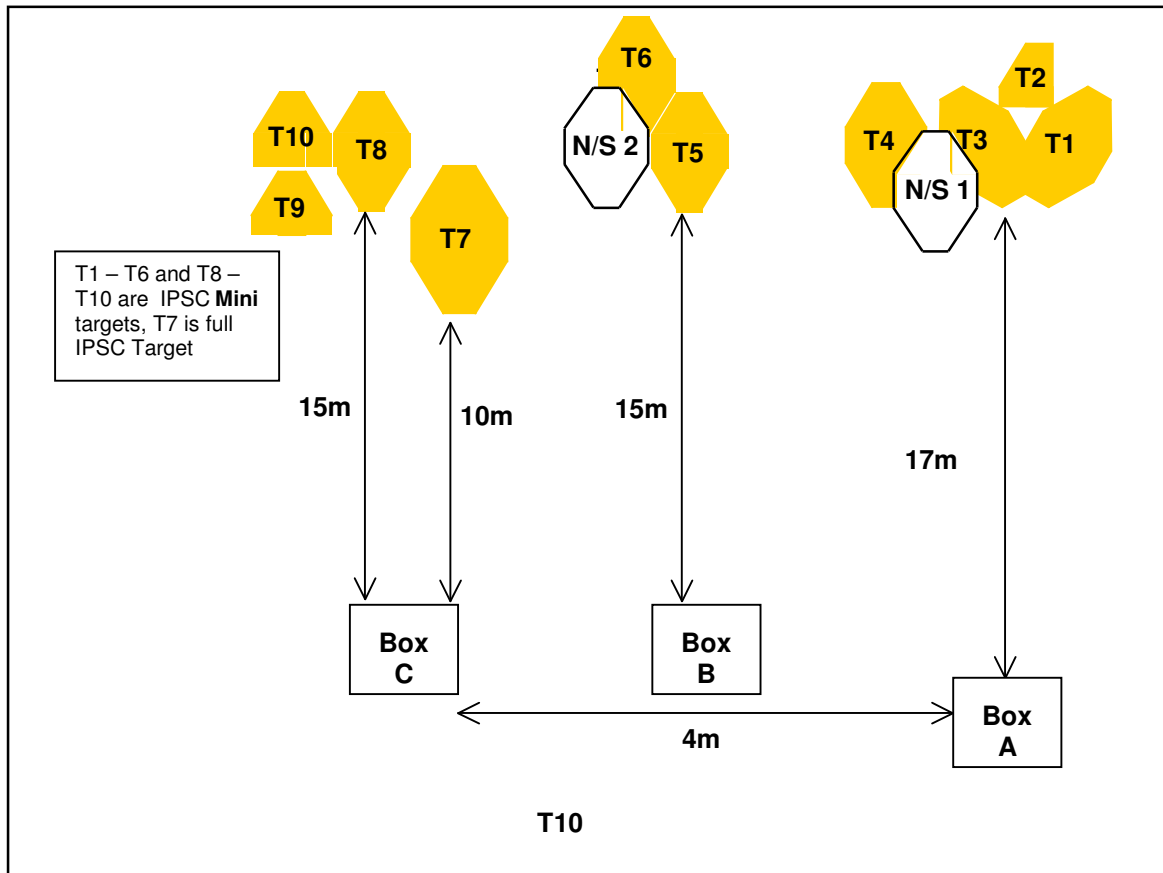
STAGE 2 INFO

TYPE:	Short course.	TARGETS:	5 x IPSC Mini Targets (2/3)
SCORING:	Comstock.	MINIMUM ROUNDS:	5
DISTANCE:	12m	MAX POINTS:	25
START:	Audible signal	PENALTIES:	As per current edition of IPSC Rule Book.
STOP:	Last shot.		
START POSITION:	Standing upright in Box. Handguns - Gun loaded and in holster with strong arm hanging naturally by side, weak hand holding a supermarket plastic bag containing a 1kg bag of sugar / flour etc., also hanging naturally by side Rifles – loaded and held at the trail in strong hand, weak hand as for handguns.		
PROCEDURE:	On the start signal, engage all targets with a minimum of one round on each target, freestyle. The bag handles must remain held by the weak hand. (This is simulating a briefcase handcuffed to you.)		
DESIGN NOTES:	1) T1 touches side of T2. T4 touches T4 and T5. 2) For cut lines on T1 and T4, see Round 1 Stage Construction Notes.		
BRIEFING NOTES:	Safety Angles: 90 / 90 / 90. (MAR may be used)		



STAGE 3 INFO

TYPE:	Medium course.	TARGETS:	7 x IPSC Mini Targets (2/3) 1 x IPSC Full Size Target
SCORING:	Comstock.	MINIMUM ROUNDS:	16
DISTANCE:	15m	MAX POINTS:	80
START:	Audible signal	PENALTIES:	As per current edition of IPSC Rule Book.
STOP:	Last shot.		
START POSITION:	Sat behind table, palms flat on thighs. Fully loaded gun (condition 1) placed wholly on table. If gun is longer than table, butt to be completely on, barrel may overhang.		
PROCEDURE:	On the start signal, engage all targets with a minimum of two rounds on each target, freestyle. Targets T1 – T4 must be taken from behind the table, T5 – T8 from the box.		
DESIGN NOTES:	Stage 3 is comprised of Stage 1 and Stage 2 targets, but T1 of Stage 2 is moved to become T3.		
BRIEFING NOTES:	Safety Angles: 90 / 90 / 90. (MAR may be used)		



STAGE 4 INFO

TYPE:	Long course.	TARGETS:	9 x IPSC Mini Targets (2/3) 1 x IPSC Full Size Target
SCORING:	Comstock.	MINIMUM ROUNDS:	20
DISTANCE:	10 – 17m	MAX POINTS:	100
START:	Audible signal	PENALTIES:	As per current edition of IPSC Rule Book.
STOP:	Last shot.		
START POSITION:	Standing upright in Box A. Handguns - Gun loaded and in holster with arms hanging naturally by side. Rifles – loaded and held at the trail in strong hand, weak arm hanging naturally by side.		
PROCEDURE:	On the start signal, engage all targets with a minimum of two rounds on each target, freestyle. Targets T1 – T4 must be taken from Box A; T5,T6 from Box B and T7 - T10 from Box C		
DESIGN NOTES:	1) This is Stage 3 targets with T5, T5, N/S 1 and N/S 2 added. 2) For N/S positioning, see Round 1 Stage Construction Notes.		
BRIEFING NOTES:	Safety Angles: 90 / 90 / 90. (MAR may be used)		